

锰锌氧铁材料规格尺寸 Specification and Dimensions of MnZn Ferrite Material

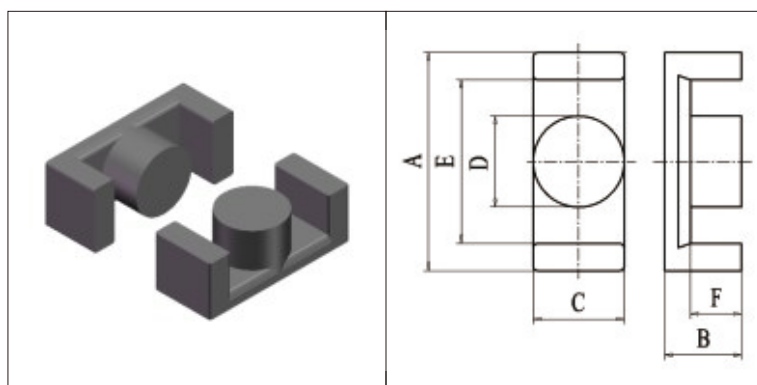


FIG.1

EER 型 / EER Core

型号 TYPE	图例 FIG.	尺寸 Dimensions (mm)					
		A	B	C	D	E	F
EER16/15/5	1	16.3±0.4	7.5±0.2	5.0±0.3	5.0+0.15/-0.3	11.5min	5.35±0.2
EER19.8/8.2/6.6B	1	19.8±0.4	4.1±0.15	6.6±0.2	6±0.15	15.8±0.3	1.9±0.15
EER25/12.4/11	2	25±0.35	6.2±0.2	11±0.2	9.5±0.2	19.5±0.35	2.95±0.2
EER25/18/11C	2	25.0±0.3	9.05±0.15	11.0±0.15	9.5±0.15	19.5±0.3	5.8±0.15
ETD25/27/10	2	25+0.5/-0.3	13.4+0.4/-0	9.5±0.25	9.5±0.25	18.9min	9.7+0.4/-0
EER25.5/18/8G	2	25.5±0.5	9.3±0.3	7.5±0.3	7.5±0.3	19.6min	6.2±0.3
EER26.8/26.6/8.5	2	26.8±0.4	13.3±0.15	8.5±0.2	8.4±0.2	20.4±0.4	10±0.2
EER28/28/11A	2	28.5±0.6	14±0.3	11.4±0.3	9.9±0.3	21.2min	9.6±0.3
EER28/34/11B	2	28.5±0.6	16.9±0.3	11.4±0.3	9.9±0.3	21.2min	12.5±0.3
EER28/17/11	2	28.55±0.55	8.35±0.2	11.4±0.25	9.9±0.25	21.2min	5.15±0.15
EER28/18/7.5	1	28±0.4	9±0.2	7.5±0.2	7.5±0.2	22.4±0.5	6.1±0.25
EER29/28/11A	2	29.2±0.8	14.4±0.3	11.3±0.3	9.9±0.3	21.8min	10.1±0.3
EER29.4/39.2/11.4	2	29.4±0.5	19.6±0.25	11.4±0.25	9.9±0.2	22.6min	15.3±0.2
EER29.5/30.6/11.4A	2	29.5±0.5	30.6±0.4	11.4±0.25	9.9±0.25	22.1±0.5	19.2+0.5/-0.4
ETD29/32/10B	2	29.8±0.8	15.8±0.3	9.5±0.3	9.5±0.3	22.0min	11.0±0.3
EER30/19/20B	2	30.0±0.5	9.4±0.15	20.3±0.3	13.2+0.3/-0.2	25.0min	6.6±0.2
EER30/28/11	2	30±0.55	14.3±0.25	11.4±0.25	9.9±0.2	23min	9.9±0.2
EER30/33/11	2	30±0.55	16.9±0.25	11.4±0.25	9.9±0.25	23min	12.53±0.28
EER33/34/14F	2	33±0.6	17.3±0.3	14±0.3	12.5±0.3	24.7min	12.8±0.3
EER34/35/11B	2	34.2±0.8	17.6±0.2	10.8±0.3	10.8±0.3	25.6min	12.4±0.3
ETD34/34/11B	2	34.2±0.8	17.3±0.2	10.8±0.3	10.8±0.3	25.6min	12.1±0.3

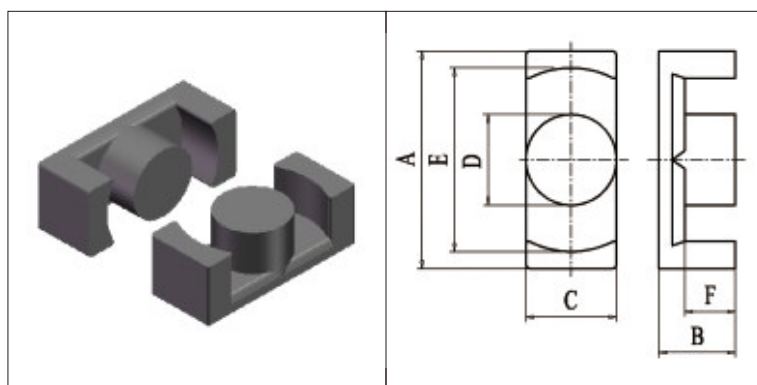


FIG.2

EER 型 / EER Core

型号 TYPE	图例 FIG.	参数 Parameters				AL(Ref)*		重量(Ref) g / PRS
		C1	Ae	Le	Ve	TP4A	TPW33	
EER16/15/5	1	1.66	21.10	35.12	741.00	1200	1500	3.82
EER19.8/8.2/6.6B	1	0.85	28.96	24.73	716.2	2300	2600	3.8
EER25/12.4/11	2	0.45	71.60	32.35	2316.30	4400	5400	12.40
EER25/18/11C	2	0.61	71.62	43.75	3133.40	3450	4450	15.89
ETD25/27/10	2	0.91	67.27	60.90	4096.70	2410	3300	21.30
EER25.5/18/8G	2	1.05	44.93	47.38	2128.70	2050	2600	10.70
EER26.8/26.6/8.5	2	1.10	57.01	62.93	3587.80	1900	2450	18.20
EER28/28/11A	2	0.73	85.88	62.85	5397.80	2800	4000	28.43
EER28/34/11B	2	0.87	85.20	74.38	6336.90	2550	3600	32.93
EER28/17/11	2	0.55	78.63	43.45	3416.30	3800	5200	17.80
EER28/18/7.5	1	1.11	44.2	49.11	2170.7	2000	2400	12.11
EER29/28/11A	2	0.78	84.48	65.63	5544.40	2700	3600	28.86
EER29.4/39.2/11.4	2	1.05	82.72	86.73	7174.40	2150	2900	33.80
EER29.5/30.6/11.4A	2	0.72	90.15	64.55	5819.20	2850	3640	33.80
ETD29/32/10B	2	0.93	75.91	70.78	5373.10	2250	3150	27.80
EER30/19/20B	2	0.35	136.04	47.36	6442.20	6100	8350	34.20
EER30/28/11	2	0.78	84.83	65.79	5581.10	3100	3600	29.02
EER30/33/11	2	0.91	84.05	76.24	6408.10	3100	3500	33.90
EER33/34/14F	2	0.62	126.95	78.58	9975.40	3800	5100	50.32
EER34/35/11B	2	0.83	96.50	80.26	7744.60	2600	3900	40.00
ETD34/34/11B	2	0.82	96.57	79.06	7634.60	2500	3900	39.51

*-Al为磁心对应参考值,具体规格以双方签订承诺书为准; AL测试条件:1kHz 0.3V 10Ts; AL单位:nH/N2

*-图例仅展示产品形状,具体细节以实物或以双方签订承诺书为准。

锰锌氧铁材料规格尺寸 Specification and Dimensions of MnZn Ferrite Material

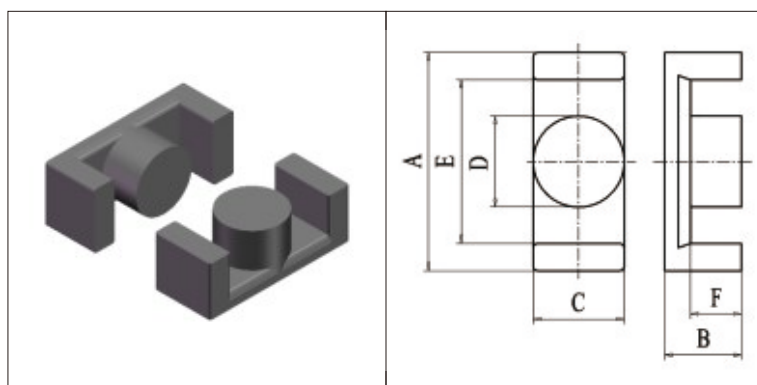


FIG.1

EER 型 / EER Core

型号 TYPE	图例 FIG.	尺寸 Dimensions (mm)					
		A	B	C	D	E	F
EER35/42/11B	2	35±0.7	21±0.3	11.3±0.4	11.3±0.3	25.3min	15±0.3
EER35.3/43/11.3E	1	35.3±0.5	21.5±0.2	11.3±0.25	11.3±0.25	26.5min	15.5±0.3
EER36/43/11M	2	36.0±0.6	21.6±0.3	11.3±0.3	11.3±0.3	27.5min	15.6±0.3
EER39/29/13A	2	39.1±0.6	14.3±0.2	12.5±0.25	12.5±0.25	29.3min	9.1±0.3
EER39/44/13I	2	39.1±0.9	22.2±0.3	12.7±0.4	12.7±0.3	29.3min	17.0±0.4
ETD39/40/13M	2	39.1±0.9	19.8±0.2	12.7±0.4	12.7±0.3	29.3min	14.6±0.4
EER40/42/15	2	40.0±0.8/-0.5	21.3±0.3	15.0±0.3	14.0±0.3	30.7min	15.3±0.3
EER40/45/13A	2	40.0±0.8	22.4±0.3	13.3±0.3	13.3±0.3	29.0min	15.4±0.3
EER42/42/15A	2	42.0±0.8	21.4±0.3	15.2±0.3/-0.2	15.2±0.3/-0.2	30.5min	15.6±0.2/-0.25
EER42/44/15H	2	42±0.8	22±0.3	15.2±0.3/-0.2	15.2±0.3/-0.2	30.5min	15.4±0.3
EER42/42/20A	2	42.15±0.65	21.2±0.3	19.6±0.4	17.2±0.3	31.8min	15.3±0.3
EER43/45/15R	2	43.0±0.8	22.4±0.3	15.5±0.4	15.5±0.3	31min	15.5±0.2
EER44/45/15B	2	44.0±1.0	22.3±0.3	14.8±0.4	14.8±0.4	32.5min	16.5±0.4
EER49/50/16A	2	49.0±0.6	24.7±0.2	16.3±0.3	16.3±0.2	37.3±0.5	18.1±0.25
EER49/54/17Q	2	49.0±1.0	27.0±0.3	17.2±0.4	17.2±0.3	36.5min	18.7±0.3
ETD49/49/16C	2	49±1	24.7±0.3	16.3±0.4	16.3±0.4	36.1min	18.1±0.4
EER53/46/22F	2	53.2±0.8	23.2±0.3	21.4±0.3	19.9±0.3	38.7min	16.5±0.5/-0.1
ETD54/54/19	2	54.2±1.0	27.1±0.3	18.9±0.4	18.9±0.3	40.5min	19.5±0.3
EER54/55/19A	2	54.5±1.3	27.6±0.2	18.9±0.4	18.9±0.4	40.1±2.2/-0	20.2±0.4
ETD55/62/21.4	2	55.5±0.8	31±0/-0.4	21.4±0/-0.7	21.4±0/-0.7	41.8±2.2/-0	22.5±0.3
EER59/62/22A	2	59.8±1.4	31.2±0/-0.4	22.1±0/-0.9	22.1±0/-0.9	43.6min	22.1±0.9/-0

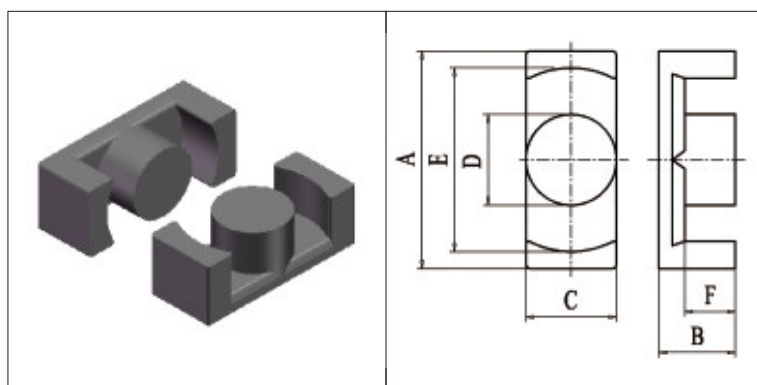


FIG.2

EER 型 / EER Core

型号 TYPE	图例 FIG.	参数 Parameters				AL(Ref)*		重量(Ref) g / PRS
		C1	Ae	Le	Ve	TP4A	TPW33	
EER35/42/11B	2	0.82	110.72	91.19	10096.20	2600	4050	52.77
EER35.3/43/11.3E	1	0.87	107.51	93.86	10091.2	2800	3600	53.5
EER36/43/11M	2	0.90	105.50	95.03	10025.30	2600	3600	52.10
EER39/29/13A	2	0.56	126.26	70.46	8896.80	4350	5550	45.00
EER39/44/13I	2	0.80	127.11	102.11	12978.90	2800	3900	57.80
ETD39/40/13M	2	0.73	127.26	92.51	11772.80	3000	4400	61.00
EER40/42/15	2	0.61	158.12	96.33	15230.90	3500	5250	80.50
EER40/45/13A	2	0.64	151.92	97.37	14792.00	3600	4800	76.89
EER42/42/15A	2	0.54	181.46	97.47	17687.30	4100	5600	92.00
EER42/44/15H	2	0.52	186.89	97.89	18294.80	4100	6400	93.60
EER42/42/20A	2	0.41	231.68	95.34	22088.10	5200	7150	114.34
EER43/45/15R	2	0.51	196.28	99.25	19480.60	3800	5220	104.30
EER44/45/15B	2	0.60	171.94	103.68	17826.40	3800	5600	94.00
EER49/50/16A	2	0.54	211.04	114.69	24205.00	4000	5500	123.07
EER49/54/17Q	2	0.50	238.23	118.44	28216.90	4200	5770	148.00
ETD49/49/16C	2	0.54	212.27	114.56	24317.70	4000	5900	122.00
EER53/46/22F	2	0.35	309.79	108.74	33685.00	7450	9750	173.60
ETD54/54/19	2	0.45	277.34	124.73	34592.30	5400	7100	166.00
EER54/55/19A	2	0.45	279.99	127.22	35620.30	5300	7000	188.19
ETD55/62/21.4	2	0.42	328.41	137.22	45065.40	5930	7830	232.00
EER59/62/22A	2	0.39	364.23	140.85	51303.30	6100	8600	262.74

*-Al为磁心对应参考值,具体规格以双方签订承诺书为准; AL测试条件:1kHz 0.3V 10Ts; AL单位:nH/N2

*-图例仅展示产品形状,具体细节以实物或以双方签订承诺书为准。