

锰锌氧铁材料规格尺寸 Specification and Dimensions of MnZn Ferrite Material

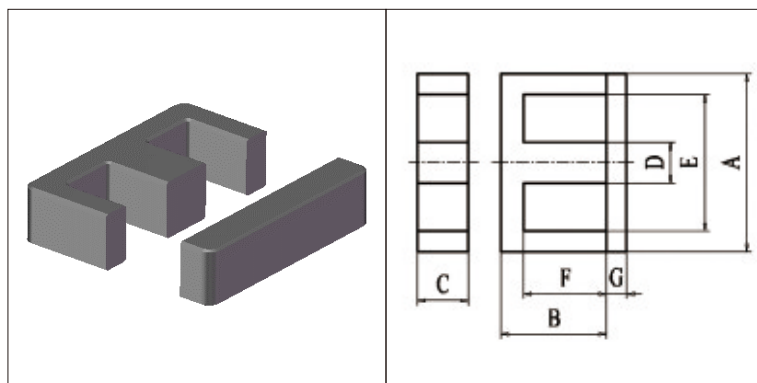


FIG.1

EI 型 / EI Core

型号 TYPE	图例 FIG.	尺寸 Dimensions (mm)						
		A	B	C	D	E	F	G
EI12.5/9/5	1	12.5±0.3	7.4±0.2	5±0.2	2.4±0.2	9.1min	5.1±0.2	1.5±0.15
EI14/5/5A	1	14.0±0.3	3.5±0.1	5±0.15	3±0.1	10.52min	1.9min	1.8±0.1
EI15.8/8.9/21.8	1	15.8±0.4	6.9±0.15	21.8±0.4	3.6±0.2	11.4min	4.9±0.15	2±0.1
EI16/14/5B	1	16±0.4	12.4±0.3	4.8±0.2	4±0.2	11.7min	10.4±0.3	2±0.2
EI18/7.2/10	1	18±0.35	5.2±0.15	10±0.2	4±0.1	14±0.35	3.2±0.15	2±0.15
EI19/16/5	1	19.2±0.4	13.6±0.4	5.1+0/-0.5	5.1+0/-0.5	14.0min	11.3±0.3	2.4±0.2
EI20/16/5	1	20±0.3	13.55±0.25	5±0.2	4.55±0.15	14.3min	11.15±0.15	2.3±0.1
EI22/8/16A	2	21.8±0.4	5.7±0.2	15.8±0.35	5±0.2	16.8±0.4	3.2±0.2	2.5±0.2
EI22/19/6	1	22.0±0.6	15.0±0.3	6.0+0/-0.5	6.0+0/-0.5	15.6min	11.0±0.3	4.0±0.3
EI22/19.5/6	1	22±0.6	15±0.3	6±0.2	6±0.2	15.6min	11±0.3	4.5±0.3
EI25.4/20/6.4A	1	25.4±0.5	16.8±0.3	6.4±0.3	6.4±0.3	18.7min	13.5±0.3	3.1±0.2
EI25/13/6	1	25.4±0.5	9.5±0.2	6.4±0.3	6.35±0.2	18.55min	6.45±0.2	3.0±0.2
EI25/20/7E	1	25.4±0.5	16.5±0.3	6.6±0.3	6.6±0.3	18.6min	13.2±0.3	3.0±0.3
EI27/21/8	1	26.5±0.5	17.3±0.3	8.0±0.3	7.0±0.3	18.5min	13.5±0.3	3.5±0.5/-0
EI28/10/12A	1	28±0.6	7.5+0/-0.3	11.9±0.25/-0.3	8.5±0.2	21.1±0.6	5.0±0.15	2.5+0/-0.3
EI28/20/11U	1	28±0.6	17.5±0.3	11+0/-0.5	7.5+0/-0.6	18.6min	12.8±0.3	3.5±0.3
EI30/10/16	2	30±0.5	6.5±0.15	16±0.35	7±0.2	23±0.5	3±0.2	3.5±0.15
EI30/27/11A	1	30.5±0.6	21.4±0.3	10.7±0.3	10.7±0.3	20.0min	16.5±0.3	5.5±0.3
EI30.5/27/11	1	30.5±0.5	21.4±0.3	11+0/-0.5	11+0/-0.5	21min	16.5±0.3	5.5±0.3
EI32/10/20	1	31.75±0.64	6.35±0.2	20.32±0.4	6.35±0.15	24.5min	3.18±0.2	3.18±0.2
EI33/29/13B	1	33.0±0.6	24.25±0.25	12.75±0.25	9.7±0.3	23.8min	19.25±0.25	5.0±0.3

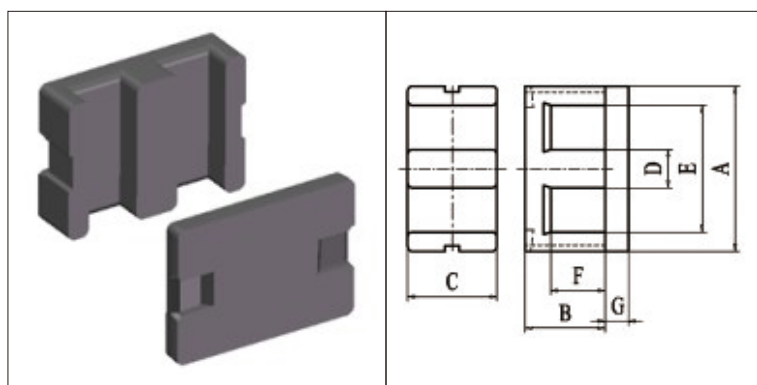


FIG.2

EI 型 / EI Core

型号 TYPE	图例 FIG.	参数 Parameters				AL(Ref)*		重量(Ref) g /PRS
		C1	Ae	Le	Ve	TP4A	TPW33	
EI12.5/9/5	1	1.45	14.78	21.49	317.60	1200	1500	1.81
EI14/5/5A	1	1.09	15.18	16.58	251.70	1440	1750	1.25
EI15.8/8.9/21.8	1	0.28	84.58	24.08	2036.70	6450	8860	10.41
EI16/14/5B	1	1.83	19.20	35.08	673.60	1100	1370	3.34
EI18/7.2/10	1	0.57	40.00	22.68	907.30	3000	3650	4.70
EI19/16/5	1	1.71	23.19	39.62	918.80	1200	1510	4.36
EI20/16/5	1	1.68	23.81	40.04	953.40	1200	1550	4.50
EI22/8/16A	2	0.33	79.00	26.05	2058.30	5100	6800	10.40
EI22/19/6	1	1.16	36.58	42.54	1556.10	1800	2400	8.50
EI22/19.5/6	1	1.08	39.28	42.58	1672.70	1770	2200	5.60
EI25.4/20/6.4A	1	1.22	40.75	49.84	2030.90	1770	2260	10.15
EI25/13/6	1	0.89	39.65	35.32	1400.60	2600	3580	7.20
EI25/20/7E	1	1.16	42.13	48.86	2058.40	1800	2290	10.50
EI27/21/8	1	0.87	58.24	50.51	2941.50	2500	3160	15.00
EI28/10/12A	1	0.47	66.17	30.99	2050.80	4000	5400	12.40
EI28/20/11U	1	0.59	84.84	49.71	4217.50	3600	4500	22.00
EI30/10/16	2	0.29	112.00	33.00	3695.50	6500	8200	10.40
EI30/27/11A	1	0.53	110.19	59.06	6507.40	3800	5100	32.40
EI30.5/27/11	1	0.56	106.67	59.30	6325.70	3830	4870	34.10
EI32/10/20	1	0.27	129.85	35.22	4573.60	7000	9000	23.67
EI33/29/13B	1	0.57	119.34	67.99	8113.40	3800	5000	40.90

*-Al为磁心对应参考值,具体规格以双方签订承诺书为准; AL测试条件:1kHz 0.3V 10Ts; AL单位:nH/N²

*-图例仅展示产品形状,具体细节以实物或以双方签订承诺书为准。

锰锌氧铁材料规格尺寸 Specification and Dimensions of MnZn Ferrite Material

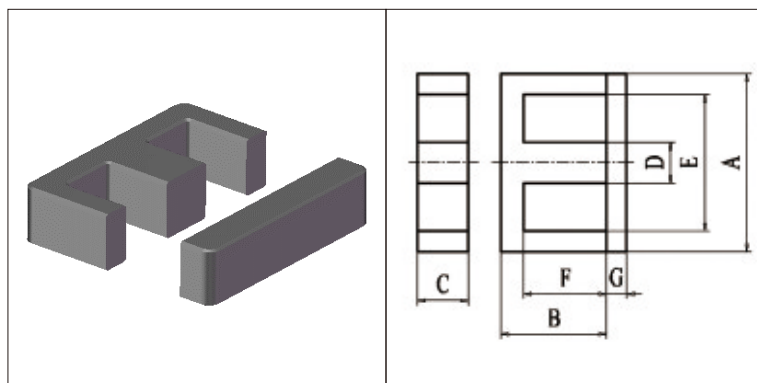


FIG.1

EI 型 / EI Core

型号 TYPE	图例 FIG.	尺寸 Dimensions (mm)						
		A	B	C	D	E	F	G
EI30/10/16	2	30±0.5	6.5±0.15	16±0.35	7±0.2	23±0.5	3±0.2	3.5±0.15
EI30/27/11A	1	30.5±0.6	21.4±0.3	10.7±0.3	10.7±0.3	20.0min	16.5±0.3	5.5±0.3
EI30.5/27/11	1	30.5±0.5	21.4±0.3	11+0/-0.5	11+0/-0.5	21min	16.5±0.3	5.5±0.3
EI32/10/20	1	31.75±0.64	6.35±0.2	20.32±0.4	6.35±0.15	24.5min	3.18±0.2	3.18±0.2
EI33/29/13B	1	33.0±0.6	24.25±0.25	12.75±0.25	9.7±0.3	23.8min	19.25±0.25	5.0±0.3
EI35/29/10I	1	35.0±0.6	24.2±0.4	10.0±0.3	10.0±0.3	24.5min	18.2±0.4	5.0±0.3
EI38/12/25	1	38.1±0.8	8.26±0.15	25.4±0.55	7.6±0.2	30.8±0.6	4.46±0.15	3.81±0.15
EI40/35/12B	1	40.0±0.8	27.2+0.6/-0	12.0+0/-0.6	12.0+0/-0.6	27.5min	20.2+0.6/-0	7.5±0.3
EI42/27/20B	1	42±0.7	21.2±0.3	20+0.2/-0.5	12+0.2/-0.5	29.5min	15.3±0.3	6.1±0.3
EI44/37/15B	1	44.0+0.9/-0.6	30.3±0.4	15+0.4/-0.4	11.7+0.3/-0.3	31.2min	23.3+0.4/-0.3	7.0±0.3
EI50/42/15	1	50.0±0.7	33.35±0.35	14.6±0.4	14.6±0.4	34.0min	24.75±0.3	9.0±0.3
EI60/44/16	1	60.0±0.8	35.85±0.35	15.6±0.4	15.6±0.4	44.1min	27.85±0.35	8.5±0.3
EI64/15/51B	1	64.0±1.0	10.35±0.15	51±0.8	10.3±0.2	53.8±1.0	5.3±0.25	5.08±0.2

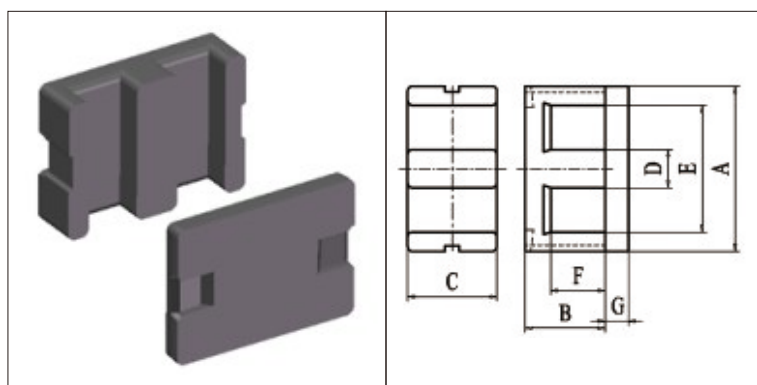


FIG.2

EI 型 / EI Core

型号 TYPE	图例 FIG.	参数 Parameters				AL(Ref)*		重量(Ref) g /PRS
		C1	Ae	Le	Ve	TP4A	TPW33	
EI30/10/16	2	0.29	112.00	33.00	3695.50	6500	8200	10.40
EI30/27/11A	1	0.53	110.19	59.06	6507.40	3800	5100	32.40
EI30.5/27/11	1	0.56	106.67	59.30	6325.70	3830	4870	34.10
EI32/10/20	1	0.27	129.85	35.22	4573.60	7000	9000	23.67
EI33/29/13B	1	0.57	119.34	67.99	8113.40	3800	5000	40.90
EI35/29/10I	1	0.60	105.40	68.40	7203.10	3200	4780	37.00
EI38/12/25	1	0.23	192.35	43.96	8455.90	9000	11450	44.00
EI40/35/12B	1	0.52	146.80	77.59	11390.40	4200	5660	59.57
EI42/27/20B	1	0.29	236.09	67.66	15972.70	8000	10700	82.20
EI44/37/15B	1	0.41	198.09	81.48	16140.40	6000	8250	79.80
EI50/42/15	1	0.41	229.50	94.73	21740.30	5500	7500	115.00
EI60/44/16	1	0.45	245.63	109.87	26987.40	5400	7350	132.20
EI64/15/51B	1	0.14	518.23	70.11	36331.00	18000	22900	185.00

*-Al为磁心对应参考值,具体规格以双方签订承诺书为准; AL测试条件:1kHz 0.3V 10Ts; AL单位:nH/N²

*-图例仅展示产品形状,具体细节以实物或以双方签订承诺书为准。