

锰锌氧铁材料规格尺寸 Specification and Dimensions of MnZn Ferrite Material

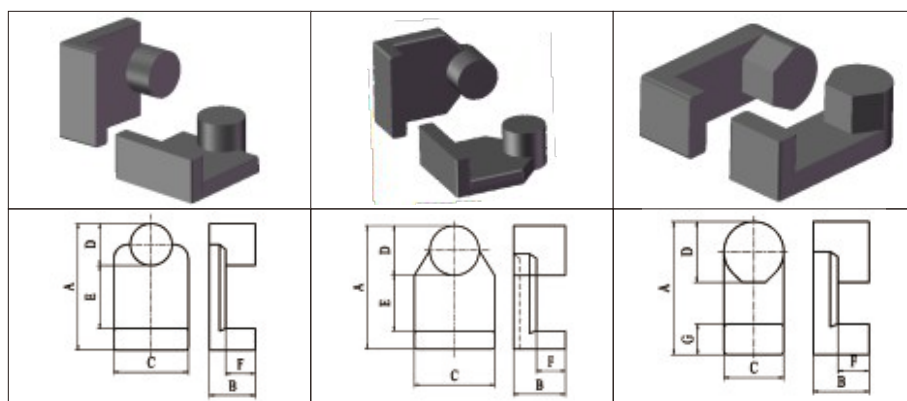


FIG.1

FIG.2

FIG.3

URS 型 / URS Core

型号 TYPE	图例 FIG.	尺寸 Dimensions (mm)						
		A	B	C	D	E	F	G
URS9.3/11/9.5	6	9.3±0.15	5.5±0.1	9.45±0.15	4.7±0.15		2.0±0.15	7.1±0.15
URS13.6/9/8A	1	13.5+0.3/-0.2	4.35±0.15	8+0.2/-0.15	4.5±0.15	6.5min	2.55+0.15/-0.1	2.3+0.1/-0.15
URS13.6/11.1/13	4	13.6±0.3	5.55±0.1	13±0.3	7.6±0.2	7.2±0.2	1.95±0.15	
URS14.8/10/11.9	6	14.8±0.3	5±0.1	11.9±0.2	6±0.2		1.5±0.15	9±0.2
URS17	2	16.7±0.3	5.15±0.2	6.0±0.2	4.0±0.2	10.7±0.3	3.15±0.2	2.0±0.2
URS18	1	18.0±0.5	11.0±0.3	11.0±0.3	7.5±0.2	6.15min	7.5±0.3	4.0±0.2
URS18.5	3	18.5±0.5	11.4±0.3	10±0.3	7±0.3	7.0min	7.4±0.4	
URS18.5E	2	18.5±0.5	11.4±0.3	10±0.3	7±0.3	7.0min	7.4±0.3	
URS18.8	3	18.8±0.2	14.5±0.2	8.5±0.2	8.55±0.2	4.3±0.2	7.0±0.25	
URS19.8	2	19.85±0.4	11.8±0.2	13.05±0.3	8±0.15	8.85±0.4	8.6±0.2	
URS25	1	25.25±0.4	10.0±0.2	19.8±0.3	9.5±0.2	12.0min	6.5+0.3/-0.2	
URS25A	4	25.25±0.4	11.4±0.2	19.8±0.3	9.5±0.2	12.0min	7.9±0.25	
URS26.2	5	26.2±0.35		20±0.3	10±0.2	10.8min	11.1+0.25/-0	5±0.2

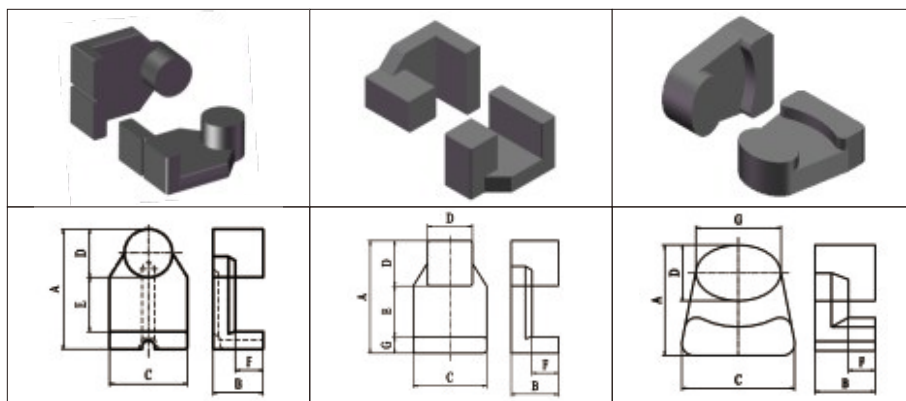


FIG.4

FIG.5

FIG.6

URS 型 / URS Core

型号 TYPE	图例 FIG.	参数 Parameters				AL(Ref)*		重量(Ref) g /PRS
		C1	Ae	Le	Ve	TP4A	TPW33	
URS9.3/11/9.5	6	0.88	28.72	25.26	725.40	1840	2200	3.40
URS13.6/9/8A	1	2.50	13.40	34.00	462.00	780	980	2.32
URS13.6/11.1/13	4		43.31	25.02	1083.8		3700	3.55
URS14.8/10/11.9	6	0.68	41.60	28.10	1169.00	2790	3370	6.00
URS17	2	3.90	10.90	42.80	468.10	550	700	2.60
URS18	1	1.50	39.70	59.36	2361.50	1580	1950	10.50
URS18.5	3	1.6	37.5	61.4	2301.0	1300		10.5
URS18.5E	2	1.60	37.50	61.40	2301.00	1350	1800	10.50
URS18.8	3	1.77	42.20	74.90	3160.70	1250	1650	15.60
URS19.8	2	1.52	42.96	65.17	2799.70	1580	1900	13.90
URS25	1	1.2	61.9	73.4	4537.2	2200		23.2
URS25A	4	1.30	62.50	78.80	4926.80	1960	2500	25.20
URS26.2	5	0.95	91.00	86.20	7847.00	2600	3400	43.10

*-Al为磁心对应参考值,具体规格以双方签订承诺书为准; AL测试条件:1kHz 0.3V 10Ts; AL单位:nH/N2

*-图例仅展示产品形状,具体细节以实物或以双方签订承诺书为准。